

# niftylift

# HR17 4x4



(A) 17.2m  
56ft 6in



(B) 15.2m  
50ft



(C) 9.4m  
31ft



225kg  
500lbs



1.8m x 0.85m  
5ft 11in x 2ft 9in



150°



180°



(D) 2.1m  
6ft 11in



(F) 2m  
6ft 7in



(H) 4.8m  
15ft 9in



(J) 6.35m  
20ft 10in



6km/h  
3.7mph



3.7m  
12ft 2in



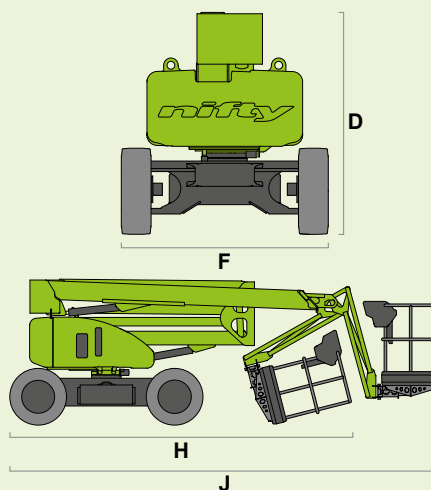
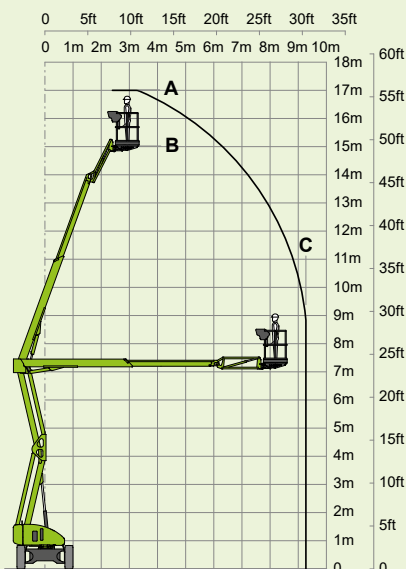
45%  
24°



5000kg  
11020lbs



Hybrid<sup>2</sup>



SiOPS<sup>®</sup> Niftylink<sup>®</sup>  
**toughcage Gen<sup>2</sup> Hybrid**



Bleivassvegen 34,  
5347 Kystbasen Ågotnes,  
Norway  
+47 55 31 55 31  
post@gantic.no  
www.gantic.no

QUALITY MANAGEMENT	ENVIRONMENTAL MANAGEMENT	HEALTH & SAFETY MANAGEMENT

