



Bobcat

One Tough Animal

SPECIFICATIONS

ELECTRIC FORKLIFTS

7-Series Plus, 1.5 to 3.5-ton capacity

🌐 EMEA



MAIN SPECIFICATIONS

TECHNICAL DATA ACCORDING TO VDI 2198							
	Unit	B15T-7 PLUS	B18T-7 PLUS	B20T-7 PLUS	B16X-7 PLUS	B18X-7 PLUS	
CHARACTERISTICS							
1.3 Drive				AC electric			
1.4 Operator type				seated			
1.5 Load capacity / load	Q kg	1 500	1 750	2 000	1 600	1 800	
1.6 Load center	c mm			500			
1.8 Load distance, center of drive axle to fork	x mm	376		381	376		
1.9 Wheelbase	y mm	1 323	1 423	1 446	1 495	1 495	
WEIGHT							
2.1 Service weight	kg	3 028	3 142	3 472	3 189	3 281	
2.2 Axle loading, with load, front / rear	kg	3 988 / 540	4 358 / 534	4 841 / 631	4 235 / 553	4 551 / 530	
2.3 Axle loading, without load, front / rear	kg	1 495 / 1 533	1 530 / 1 612	1 623 / 1 849	1 689 / 1 491	1 696 / 1 585	
TYRES							
3.1 Rubber tires		superelastic, cushion		pneumatic, superelastic		superelastic	
3.2 Tire size, front		18 × 7-8 ¹		200 × 50-10 ¹	18 × 7-8 ¹	200 × 50-10	
3.3 Tire size, rear		15 × 4.5-8 ²		16 × 6-8 ²			
3.5 Wheels, number front rear (x = driven wheels)		2x / 2					
3.6 Track width, front	b10 mm	902		912	902	912	
3.7 Track width, rear	b13 mm	167		201	890		
DIMENSIONS							
4.1 Tilt of mast, fork carriage forward / backward	α / β °	5/7					
4.2 Height mast lowered	h1 mm	2 000				2 150	
4.3 Free lift	h2 mm	130		135	130		
4.4 Lift	h3 mm	3 300					
4.5 Height mast extended	h4 mm	4 345		4 350	4 345		
4.7 Height of overhead guard (cabin)	h6 mm	2 010					
4.8 Seat height, stand height	h7 mm	919					
4.19 Overall length	l1 mm	2 791	2 891	2 929	3 020		
4.20 Length to face of forks	l2 mm	1 891	1 991	2 029	2 120		
4.21 Overall width	b1, b2 mm	1 090		1 119	1 090	1 119	
4.22 Fork dimensions	s/e/l mm	35 × 100 × 900		40 × 100 × 900	35 × 100 × 900		
4.23 Fork carriage ISO 2328, class / type A,B		II					
4.24 Fork carriage width	b3 mm	973					
4.31 Ground clearance, with load, below mast	m1 mm	86					
4.32 Ground clearance, center of wheelbase	m2 mm	100					
4.33 Aisle width for pallets 1 000 × 1 200 crossways	Ast mm	3 216	3 316	3 354	3 466		
4.34 Aisle width for pallets 800 × 1 200 lengthways	Ast mm	3 341	3 441	3 479	3 662		
4.35 Turning radius	Wa mm	1 515	1 615	1 648	1 886		
4.36 Internal turning radius	b13 mm	-		494	496		
PERFORMANCE							
5.1 Travel speed, with / without load	km/h	17 / 17					
5.2 Lift speed, with / without load	mm/s	400 / 600					
5.3 Lowering speed, with / without load	mm/s	500 / 450					
5.6 Max. drawbar pull, with / without load	kg	1 300					
5.8 Max. gradeability, with / without load	%	26	25	24	26	25	
5.10 Service brake		foot-electric					
ELECTRIC ENGINE							
6.1 Drive motor rating S2 60 min	kW	6.0 × 2					
6.2 Lift motor rating at S3 15 %	kW	14					
6.4 Battery voltage, nominal capacity K5	V/Ah	48 / 440	48 / 510	48 / 585			
6.5 Battery weight	kg	700	800	1 000	1 050		
ADDITIONAL DATA							
8.1 Type of drive control unit		MOSFET inverter					
8.2 Operating pressure for attachments	bar	140					
8.4 Sound level at the driver's ear according to DIN 12 053	dB (A)	68					

¹ Optional: cushion tires 18×7-12.12² Optional: cushion tires 15×6-11.25

Note: Specification values quoted in this specification sheet have been rounded. Performance may vary depending on operating conditions. Products and specifications are subject to improvement and change without prior notice.

MAIN SPECIFICATIONS

TECHNICAL DATA ACCORDING TO VDI 2198							
	Unit	B20X-7 PLUS	B25X-7 PLUS	B30X-7 PLUS	B35X-7 PLUS		
CHARACTERISTICS							
1.3 Drive				AC electric			
1.4 Operator type				seated			
1.5 Load capacity / load	Q kg	2 000	2 500	3 000	3 500		
1.6 Load center	c mm	500					
1.8 Load distance, center of drive axle to fork	x mm	381	448	454	454		
1.9 Wheelbase	y mm	1 495	1 589	1 734	1 750		
WEIGHT							
2.1 Service weight	kg	3 461	4 623	5 068	5 486		
2.2 Axle loading, with load, front / rear	kg	4 871 / 590	6 275 / 848	7 197 / 870	7 940 / 1 046		
2.3 Axle loading, without load, front / rear	kg	1 692 / 1 769	2 284 / 2 339	2 547 / 2 521	2 532 / 2 954		
TYRES							
3.1 Rubber tires		superelastic		pneumatic, superelastic			
3.2 Tire size, front		200 × 50-10		23 × 10-12			
3.3 Tire size, rear		16 × 6-8 ²		18 × 7-8			
3.5 Wheels, number front rear (x = driven wheels)		2x / 2					
3.6 Track width, front	b10 mm	912		998			
3.7 Track width, rear	b13 mm	890		998			
DIMENSIONS							
4.1 Tilt of mast, fork carriage forward / backward	α/β °	5/7		6 / 9			
4.2 Height mast lowered	h1 mm	2 150		2 160			
4.3 Free lift	h2 mm	135	147	152			
4.4 Lift	h3 mm	3 300	3 230	3 230	3 000		
4.5 Height mast extended	h4 mm	4 350	3 990	3 990	3 760		
4.7 Height of overhead guard (cabin)	h6 mm	2 010	2 185	2 210			
4.8 Seat height, stand height	h7 mm	919		1 070			
4.19 Overall length	l1 mm	3 025		-			
4.20 Length to face of forks	l2 mm	2 125	2 329	2 480	2 564		
4.21 Overall width	b1, b2 mm	1 119	1 245		1 245		
4.22 Fork dimensions	s/e/l mm	40 × 100 × 900	40 × 100 × 1 050	45 × 125 × 1 050	45 × 125 × 1 050		
4.23 Fork carriage ISO 2328, class / type A,B		II		III			
4.24 Fork carriage width	b3 mm	973		-			
4.31 Ground clearance, with load, below mast	m1 mm	86		130			
4.32 Ground clearance, center of wheelbase	m2 mm	100		140			
4.33 Aisle width for pallets 1 000 × 1 200 crossways	Ast mm	3 471	3 620	3 772	3 832		
4.34 Aisle width for pallets 800 × 1 200 lengthways	Ast mm	3 667	3 799	3 950	4 010		
4.35 Turning radius	Wa mm	1 886	1 950	2 095	2 155		
4.36 Internal turning radius	b13 mm	496	348	340			
PERFORMANCE							
5.1 Travel speed, with / without load	km/h	17 / 17		16 / 18			
5.2 Lift speed, with / without load	mm/s	400 / 600		480 / 600	420 / 600	380 / 600	
5.3 Lowering speed, with / without load	mm/s	500 / 450		490 / 460		500 / 460	
5.6 Max. drawbar pull, with / without load	kg	1 300		1 768 / 1 675			
5.8 Max. gradeability, with / without load	%	24	25 / 38	22 / 34	20 / 31		
5.10 Service brake		foot-electric		hydraulic			
ELECTRIC ENGINE							
6.1 Drive motor rating S2 60 min	kW	6.0 × 2		10.0 × 2			
6.2 Lift motor rating at S3 15 %	kW	14					
6.4 Battery voltage, nominal capacity K5	V/Ah	48 / 585		80			
6.5 Battery weight	kg	1 050	1 560	1 870			
ADDITIONAL DATA							
8.1 Type of drive control unit		MOSFET inverter					
8.2 Operating pressure for attachments	bar	140		155			
8.4 Sound level at the driver's ear according to DIN 12 053	dB (A)	68					

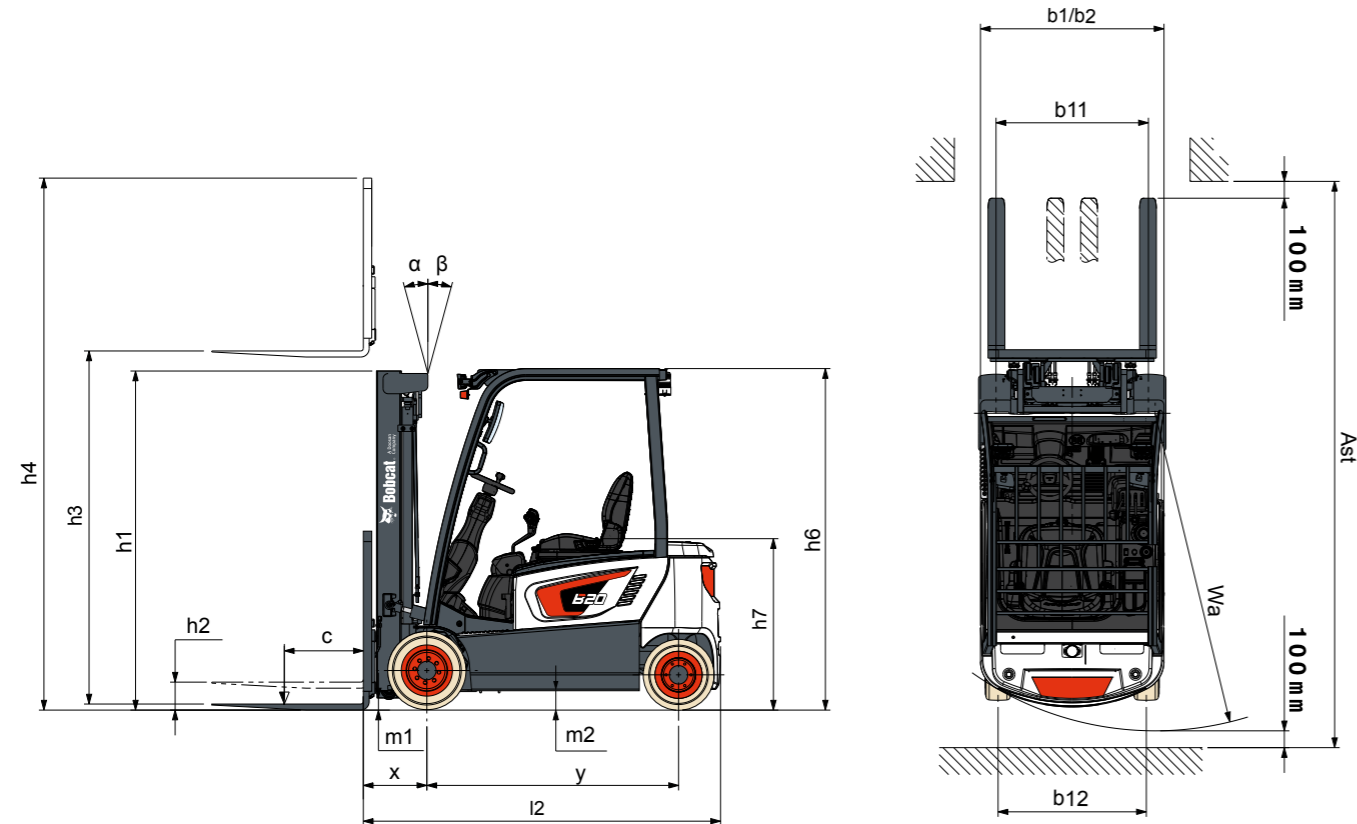
Note: Specification values quoted in this specification sheet have been rounded. Performance may vary depending on operating conditions. Products and specifications are subject to improvement and change without prior notice.

MAST SPECIFICATIONS & RATED CAPACITIES

B15T-7 PLUS												
MAST TYPE	MAXIMUM FORK HEIGHT (H3)	HEIGHT MAST LOWERED (H1)	HEIGHT MAST EXTENDED (H4)		FREE LIFT (H2)		SINGLE SOLID TIRE			SINGLE CUSHION TIRE		
			WITH LOAD BACKREST	WITHOUT LOAD BACKREST	WITH LOAD BACKREST	WITHOUT LOAD BACKREST	TILT ANGLE (α / β)		LOAD CAPACITY (Q)	TILT ANGLE (α / β)		LOAD CAPACITY (Q)
							FWD	BWD		LC 500mm	FWD	
mm	mm	mm	mm	mm	mm	deg	deg	kg	deg	deg	kg	
STD	3 000	2 000	4 045	3 600	130	130	5	7	1 500	5	7	1 500
	3 300	2 150	4 345	3 900	130	130	5	7	1 500	5	7	1 500
	3 500	2 250	4 545	4 100	130	130	5	7	1 500	5	7	1 500
	3 700	2 350	4 745	4 300	130	130	5	7	1 500	5	7	1 500
	4 000	2 550	5 045	4 600	130	130	5	7	1 500	5	7	1 500
4 500	2 800	5 545	5 100	130	130	5	7	1 425	5	7	1 450	
FF	2 700	1 850	3 745	3 325	845	1 265	5	5	1 500	5	5	1 500
	3 000	2 000	4 045	3 625	995	1 415	5	5	1 500	5	5	1 500
	3 300	2 150	4 345	3 925	1 145	1 565	5	5	1 500	5	5	1 500
FFT	4 000	1 880	5 050	4 630	875	1 295	5	5	1 450	5	5	1 475
	4 500	2 045	5 545	5 125	1 040	1 460	5	5	1 400	5	5	1 425
	4 750	2 130	5 795	5 375	1 125	1 545	5	5	1 350	5	5	1 375
	5 000	2 245	6 045	5 625	1 240	1 660	5	5	1 300	5	5	1 350
	5 500	2 480	6 550	6 130	1 475	1 895	5	5	975	5	5	1 275
6 000	2 645	7 045	6 625	1 640	2 060	5	5	650	5	5	1 225	
QUAD	6 100	2 115	7 350	6 730	910	1 530	5	3	1 075	5	3	1 120
	6 580	2 275	7 830	7 210	1 070	1 690	5	3	750	5	3	1 065
	7 020	2 415	8 275	7 655	1 210	1 830	5	3	555	5	3	820

Note: Mast specifications & rated capacities are based on standard chassis with dual pneumatic tire and without side shifter.

DIMENSIONS



Note: The dimensional drawing is representative of both 4 and 3-wheel series.

MAST SPECIFICATIONS & RATED CAPACITIES

B16X-7 PLUS												
MAST TYPE	MAXIMUM FORK HEIGHT (H3)	HEIGHT MAST LOWERED (H1)	HEIGHT MAST EXTENDED (H4)		FREE LIFT (H2)		SINGLE SOLID TIRE			SINGLE CUSHION TIRE		
			WITH LOAD BACKREST	WITHOUT LOAD BACKREST	WITH LOAD BACKREST	WITHOUT LOAD BACKREST	TILT ANGLE (α / β)		LOAD CAPACITY (Q)	TILT ANGLE (α / β)		LOAD CAPACITY (Q)
							FWD	BWD		LC 500mm	FWD	
mm	mm	mm	mm	mm	mm	deg	deg	kg	deg	deg	kg	
STD	3 000	2 000	4 045	3 600	130	130	5	7	1 600	5	7	1 500
	3 300	2 150	4 345	3 900	130	130	5	7	1 600	5	7	1 500
	3 500	2 250	4 545	4 100	130	130	5	7	1 600	5	7	1 500
	3 700	2 350	4 745	4 300	130	130	5	7	1 600	5	7	1 500
	4 000	2 550	5 045	4 600	130	130	5	7	1 600	5	7	1 500
4 500	2 800	5 545	5 100	130	130	5	7	1 600	5	7	1 450	
FF	2 700	1 850	3 745	3 325	845	1 265	5	5	1 600	5	5	1 500
	3 000	2 000	4 045	3 625	995	1 415	5	5	1 600	5	5	1 500
	3 300	2 150	4 345	3 925	1 145	1 565	5	5	1 600	5	5	1 500
FFT	4 000	1 880	5 050	4 630	875	1 295	5	5	1 600	5	5	1 475
	4 500	2 045	5 545	5 125	1 040	1 460	5	5	1 550	5	5	1 425
	4 750	2 130	5 795	5 375	1 125	1 545	5	5	1 500	5	5	1 375
	5 000	2 245	6 045	5 625	1 240	1 660	5	5	1 450	5	5	1 350
	5 500	2 480	6 550	6 130	1 475	1 895	5	5	1 350	5	5	1 275
6 000	2 645	7 045	6 625	1 640	2 060	5	5	1 250	5	5	1 225	
QUAD	6 100	2 115	7 350	6 730	910	1 530	5	3	1 220	-	-	-
	6 580	2 275	7 830	7 210	1 070	1 690	5	3	995	-	-	-
	7 020	2 415	8 275	7 655	1 210	1 830	5	3	770	-	-	-

Note: Mast specifications & rated capacities are based on standard chassis with dual pneumatic tire and without side shifter.

B18T-7 PLUS												
MAST TYPE	MAXIMUM FORK HEIGHT (H3)	HEIGHT MAST LOWERED (H1)	HEIGHT MAST EXTENDED (H4)		FREE LIFT (H2)		SINGLE SOLID TIRE			SINGLE CUSHION TIRE		
			WITH LOAD BACKREST	WITHOUT LOAD BACKREST	WITH LOAD BACKREST	WITHOUT LOAD BACKREST	TILT ANGLE (α / β)		LOAD CAPACITY (Q)	TILT ANGLE (α / β)		LOAD CAPACITY (Q)
							FWD	BWD		LC 500mm	FWD	
mm	mm	mm	mm	mm	mm	deg	deg	kg	deg	deg	kg	
STD	3 000	2 000	4 045	3 600	130	130	5	7	1 750	5	7	1 750
	3 300	2 150	4 345	3 900	130	130	5	7	1 750	5	7	1 750
	3 500	2 250	4 545	4 100	130	130	5	7	1 750	5	7	1 750
	3 700	2 350	4 745	4 300	130	130	5	7	1 750	5	7	1 750
	4 000	2 550	5 045	4 600	130	130	5	7	1 750	5	7	1 750
4 500	2 800	5 545	5 100	130	130	5	7	1 650	5	7	1 650	
FF	2 700	1 850	3 745	3 325	845	1 265	5	5	1 750	5	5	1 750
	3 000	2 000	4 045	3 625	995	1 415	5	5	1 750	5	5	1 750
	3 300	2 150	4 345	3 925	1 145	1 565	5	5	1 750	5	5	1 750
FFT	4 000	1 880	5 050	4 630	875	1 295	5	5	1 675	5	5	1 700
	4 500	2 045	5 545	5 125	1 040	1 460	5	5	1 600	5	5	1 650
	4 750	2 130	5 795	5 375	1 125	1 545	5	5	1 525	5	5	1 625
	5 000	2 245	6 045	5 625	1 240	1 660	5	5	1 400	5	5	1 575
	5 500	2 480	6 550	6 130	1 475	1 895	5	5	1 025	5	5	1 500
6 000	2 645	7 045	6 625	1 640	2 060	5	5	700	5	5	1 400	
QUAD	6 100	2 115	7 350	6 730	910	1 530	5	3	1 075	5	3	1 315
	6 580	2 275	7 830	7 210	1 070	1 690	5	3	775	5	3	1 115
	7 020	2 415	8 275	7 655	1 210	1 830	5	3	580	5	3	870

Note: Mast specifications & rated capacities are based on standard chassis with dual pneumatic tire and without side shifter.

MAST SPECIFICATIONS & RATED CAPACITIES

B18X-7 PLUS												
MAST TYPE	MAXIMUM FORK HEIGHT (H3)	HEIGHT MAST LOWERED (H1)	HEIGHT MAST EXTENDED (H4)		FREE LIFT (H2)		SINGLE SOLID TIRE			SINGLE CUSHION TIRE		
			WITH LOAD BACKREST	WITHOUT LOAD BACKREST	WITH LOAD BACKREST	WITHOUT LOAD BACKREST	TILT ANGLE (α / β)		LOAD CAPACITY (Q)	TILT ANGLE (α / β)		LOAD CAPACITY (Q)
							FWD	BWD		LC 500mm	FWD	
mm	mm	mm	mm	mm	mm	deg	deg	kg	deg	deg	kg	
STD	3 000	2 000	4 045	3 600	130	130	5	7	1 800	5	7	1 750
	3 300	2 150	4 345	3 900	130	130	5	7	1 800	5	7	1 750
	3 500	2 250	4 545	4 100	130	130	5	7	1 800	5	7	1 750
	3 700	2 350	4 745	4 300	130	130	5	7	1 800	5	7	1 750
	4 000	2 550	5 045	4 600	130	130	5	7	1 800	5	7	1 750
	4 500	2 800	5 545	5 100	130	130	5	7	1 700	5	7	1 650
FF	2 700	1 850	3 745	3 325	845	1 265	5	5	1 800	5	5	1 750
	3 000	2 000	4 045	3 625	995	1 415	5	5	1 800	5	5	1 750
	3 300	2 150	4 345	3 925	1 145	1 565	5	5	1 800	5	5	1 750
FFT	4 000	1 880	5 050	4 630	875	1 295	5	5	1 800	5	5	1 700
	4 500	2 045	5 545	5 125	1 040	1 460	5	5	1 750	5	5	1 650
	4 750	2 130	5 795	5 375	1 125	1 545	5	5	1 600	5	5	1 625
	5 000	2 245	6 045	5 625	1 240	1 660	5	5	1 550	5	5	1 575
	5 500	2 480	6 550	6 130	1 475	1 895	5	5	1 475	5	5	1 500
	6 000	2 645	7 045	6 625	1 640	2 060	5	5	1 350	5	5	1 400
QUAD	6 100	2 115	7 350	6 730	910	1 530	5	3	1 315	-	-	-
	6 580	2 275	7 830	7 210	1 070	1 690	5	3	1 235	-	-	-
	7 020	2 415	8 275	7 655	1 210	1 830	5	3	1 060	-	-	-

MAST SPECIFICATIONS & RATED CAPACITIES

B20X-7 PLUS												
MAST TYPE	MAXIMUM FORK HEIGHT (H3)	HEIGHT MAST LOWERED (H1)	HEIGHT MAST EXTENDED (H4)		FREE LIFT (H2)		SINGLE SOLID TIRE			SINGLE CUSHION TIRE		
			WITH LOAD BACKREST	WITHOUT LOAD BACKREST	WITH LOAD BACKREST	WITHOUT LOAD BACKREST	TILT ANGLE (α / β)		LOAD CAPACITY (Q)	TILT ANGLE (α / β)		LOAD CAPACITY (Q)
							FWD	BWD		LC 500mm	FWD	
mm	mm	mm	mm	mm	mm	deg	deg	kg	deg	deg	kg	
STD	3 000	2 000	4 050	3 605	135	135	5	7	2 000	5	7	2 000
	3 300	2 150	4 350	3 905	135	135	5	7	2 000	5	7	2 000
	3 500	2 250	4 550	4 105	135	135	5	7	2 000	5	7	2 000
	3 700	2 350	4 750	4 305	135	135	5	7	2 000	5	7	2 000
	4 000	2 550	5 050	4 605	135	135	5	7	2 000	5	7	2 000
	4 500	2 800	5 550	5 105	135	135	5	7	1 900	5	7	2 000
FF	2 700	1 850	3 750	3 330	845	1 265	5	5	2 000	5	5	2 000
	3 000	2 000	4 050	3 630	995	1 415	5	5	2 000	5	5	2 000
	3 300	2 150	4 350	3 930	1 145	1 565	5	5	2 000	5	5	2 000
FFT	4 000	1 880	5 055	4 635	875	1 295	5	5	1 900	5	5	2 000
	4 500	2 045	5 550	5 130	1 040	1 460	5	5	1 900	5	5	1 975
	4 750	2 130	5 800	5 380	1 125	1 545	5	5	1 800	5	5	1 925
	5 000	2 245	6 050	5 630	1 240	1 660	5	5	1 725	5	5	1 900
	5 500	2 480	6 555	6 135	1 475	1 895	5	5	1 650	5	5	1 800
	6 000	2 645	7 050	6 630	1 640	2 060	5	5	1 500	5	5	1 500
QUAD	6 100	2 115	7 350	6 730	910	1 530	5	3	1 485	-	-	-
	6 580	2 275	7 830	7 210	1 070	1 690	5	3	1 355	-	-	-
	7 020	2 415	8 275	7 655	1 210	1 830	5	3	1 035	-	-	-

B20T-7 PLUS												
MAST TYPE	MAXIMUM FORK HEIGHT (H3)	HEIGHT MAST LOWERED (H1)	HEIGHT MAST EXTENDED (H4)		FREE LIFT (H2)		SINGLE SOLID TIRE			SINGLE CUSHION TIRE		
			WITH LOAD BACKREST	WITHOUT LOAD BACKREST	WITH LOAD BACKREST	WITHOUT LOAD BACKREST	TILT ANGLE (α / β)		LOAD CAPACITY (Q)	TILT ANGLE (α / β)		LOAD CAPACITY (Q)
							FWD	BWD		LC 500mm	FWD	
mm	mm	mm	mm	mm	mm	deg	deg	kg	deg	deg	kg	
STD	3 000	2 000	4 050	3 605	135	135	5	7	2 000	5	7	2 000
	3 300	2 150	4 350	3 905	135	135	5	7	2 000	5	7	2 000
	3 500	2 250	4 550	4 105	135	135	5	7	2 000	5	7	2 000
	3 700	2 350	4 750	4 305	135	135	5	7	2 000	5	7	2 000
	4 000	2 550	5 050	4 605	135	135	5	7	2 000	5	7	2 000
	4 500	2 800	5 550	5 105	135	135	5	7	1 950	5	7	2 000
FF	2 700	1 850	3 750	3 330	845	1 265	5	5	2 000	5	5	2 000
	3 000	2 000	4 050	3 630	995	1 415	5	5	2 000	5	5	2 000
	3 300	2 150	4 350	3 930	1 145	1 565	5	5	2 000	5	5	2 000
FFT	4 000	1 880	5 055	4 635	875	1 295	5	5	1 950	5	5	2 000
	4 500	2 045	5 550	5 130	1 040	1 460	5	5	1 875	5	5	1 975
	4 750	2 130	5 800	5 380	1 125	1 545	5	5	1 825	5	5	1 925
	5 000	2 245	6 050	5 630	1 240	1 660	5	5	1 800	5	5	1 900
	5 500	2 480	6 555	6 135	1 475	1 895	5	5	1 700	5	5	1 800
	6 000	2 645	7 050	6 630	1 640	2 060	5	5	1 575	5	5	1 500
QUAD	6 100	2 115	7 350	6 730	910	1 530	5	3	1 510	5	3	1 560
	6 580	2 275	7 830	7 210	1 070	1 690	5	3	1 260	5	3	1 165
	7 020	2 415	8 275	7 655	1 210	1 830	5	3	965	5	3	870

B25X-7 PLUS												
MAST TYPE	MAXIMUM FORK HEIGHT (H3)	HEIGHT MAST LOWERED (H1)	HEIGHT MAST EXTENDED (H4)		FREE LIFT (H2)	SINGLE SOLID TIRE			SINGLE CUSHION TIRE			
			WITH LOAD BACKREST	WITHOUT LOAD BACKREST		TILT ANGLE (α / β)		LOAD CAPACITY (Q)	TILT ANGLE (α / β)		LOAD CAPACITY (Q)	
					FWD	BWD	LC 500mm		FWD	BWD		LC 500 mm
mm	mm	mm	mm	mm	deg	deg	kg	deg	deg	kg		
STD	2 950	2 020	4 200	3 765	147	6	9	2 500	6	9	2 500	
	3 230	2 160	4 480	4 045	147	6	9	2 500	6	9	2 500	
	3 500	2 410	4 755	4 320	147	6	9	2 500	6	9	2 500	
	3 800	2 560	5 055	4 615	147	6	9	2 500	6	9	2 500	
	3 950	2 635	5 205	4 765	147	6	9	2 500	6	9	2 500	
	4 350	2 835	5 605	5 165	147	6	9	2 500	6	9	2 500	
FF	4 960	3 135	6 205	5 770	147	6	9	2 425	6	9	2 450	
	2 950	2 020	4 200	3 765	815	6	9	2 500	6	9	2 500	
	3 230	2 160	4 480	4 045	955	6	9	2 500	6	9	2 500	
FFT	3 600	2 410	4 855	4 415	1 205	6	9	2 500	6	9	2 500	
	3 900	1 885	5 155	4 715	680	6	9	2 500	6	9	2 500	
	4 290	2 020	5 560	5 125	815	6	9	2 500	6	9	2 500	
	4 730	2 160	5 980	5 535	955	6	9	2 475	6	9	2 500	
	4 805	2 165	6 055	5 610	980	6	9	2 450	6	9	2 475	
	5 560	2 510	6 805	6 365	1 305	6	5	2 275	6	9	2 325	
QUAD	6 010	2 660	7 255	6 815	1 455	6	5	1 700	6	9	2 250	
	6 100	2 160	7 355	6 915	6 820	6	5	1 565	6	9	1 770	
	6 640	2 360	7 895	7 455	7 360	6	5	1 095	6	5	1 670	
	7 035	2 460	8 295	7 855	7 760	6	5	840	6	5	1 615	
	7 945	2 790	9 200	8 760	8 665	6	5	405	6	5	830	

Note: Mast specifications & rated capacities are based on standard chassis with dual pneumatic tire and without side shifter.

Note: Mast specifications & rated capacities are based on standard chassis with dual pneumatic tire and without side shifter.

MAST SPECIFICATIONS & RATED CAPACITIES

B30X-7 PLUS

MAST TYPE	MAXIMUM FORK HEIGHT (H3)	HEIGHT MAST LOWERED (H1)	HEIGHT MAST EXTENDED (H4)	FREE LIFT (H2)	SINGLE SOLID TIRE			SINGLE CUSHION TIRE		
			WITH LOAD BACKREST	WITH LOAD BACKREST	TILT ANGLE (α / β)		LOAD CAPACITY (Q)	TILT ANGLE (α / β)		LOAD CAPACITY (Q)
					FWD	BWD	LC 500mm	FWD	BWD	LC 500 mm
					deg	deg	kg	deg	deg	kg
STD	2 950	2 020	4 200	152	6	9	3 000	6	9	3 000
	3 230	2 160	4 480	152	6	9	3 000	6	9	3 000
	3 500	2 410	4 755	152	6	9	3 000	6	9	3 000
	3 800	2 560	5 055	152	6	9	3 000	6	9	3 000
	3 950	2 635	5 205	152	6	9	3 000	6	9	3 000
	4 350	2 835	5 605	152	6	9	2 950	6	9	2 975
	4 960	3 135	6 205	152	6	9	2 800	6	9	2 825
FF	2 950	2 020	4 200	820	6	9	3 000	6	9	3 000
	3 230	2 160	4 480	960	6	9	3 000	6	9	3 000
	3 600	2 410	4 855	1 210	6	9	3 000	6	9	3 000
FFT	3 900	1 885	5 155	685	6	9	2 900	6	9	2 900
	4 290	2 020	5 560	820	6	9	2 900	6	9	2 900
	4 730	2 160	5 980	960	6	9	2 850	6	9	2 875
	4 805	2 165	6 055	985	6	9	2 850	6	9	2 875
	5 560	2 510	6 805	1 310	6	5	2 300	6	9	2 700
	6 010	2 660	7 255	1 460	6	5	1 775	6	5	2 600

B35X-7 PLUS

MAST TYPE	MAXIMUM FORK HEIGHT (H3)	HEIGHT MAST LOWERED (H1)	HEIGHT MAST EXTENDED (H4)	FREE LIFT (H2)	SINGLE SOLID TIRE			SINGLE CUSHION TIRE		
			WITH LOAD BACKREST	WITH LOAD BACKREST	TILT ANGLE (α / β)		LOAD CAPACITY (Q)	TILT ANGLE (α / β)		LOAD CAPACITY (Q)
					FWD	BWD	LC 500mm	FWD	BWD	LC 500 mm
					deg	deg	kg	deg	deg	kg
STD	2 720	2 020	3 970	152	6	9	3 500	6	9	3 500
	3 000	2 160	4 250	152	6	9	3 500	6	9	3 500
	3 495	2 410	4 750	152	6	9	3 500	6	9	3 500
	3 655	2 560	4 905	152	6	9	3 500	6	9	3 500
	3 805	2 635	5 055	152	6	9	3 500	6	9	3 500
	4 805	3 135	6 055	152	6	5	3 125	6	9	3 425
FF	2 720	2 020	3 970	820	6	5	3 500	6	9	3 500
	3 000	2 160	4 250	960	6	5	3 500	6	9	3 500
	3 495	2 410	4 745	1 210	6	5	3 500	6	9	3 500
FFT	3 555	1 885	4 805	685	6	9	3 400	6	9	3 400
	3 960	2 020	5 210	820	6	9	3 400	6	9	3 400
	4 380	2 160	5 630	960	6	9	3 300	6	9	3 400
	4 820	2 330	6 070	1 130	6	5	3 175	6	9	3 400
	5 205	2 510	6 455	1 310	6	5	2 575	6	9	3 300
	5 655	2 660	6 905	1 460	6	5	2 000	6	5	3 200

Note: Mast specifications & rated capacities are based on standard chassis with dual pneumatic tire and without side shifter.

