

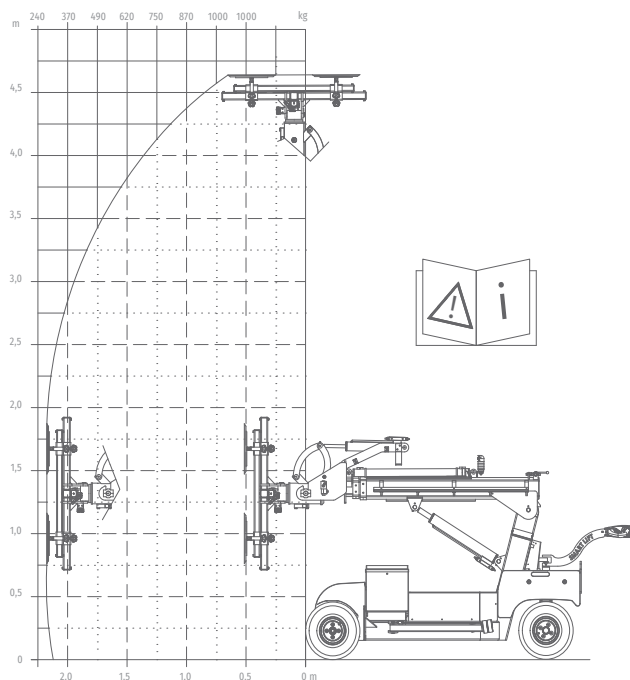
SL1009 OUTDOOR

HANDLING

SL1009 OUTDOOR



HANDLING



TECHNICAL DATA

DESCRIPTION	VALUE	DESCRIPTION	VALUE
Model	SL1009 Outdoor	Running period	Up to 8 hrs
Lifting cap. arm in/out	1000 / 280kg	Front-wheel drive	2000 W AC
Lifting height	4400mm	Suction pads	6 x Ø400mm
Extension of arm	2 x 830mm	Width	1010mm
Tip from horizontal	42° back / 86° fwd	Curb weight	1480kg
Side shift	100mm	Class	IP 65
Charging voltage	230V / 110V		
Charging time	Approx. 8 hrs		
Battery	4 x 134 Ah AGM		

SL1009 OUTDOOR

