



# **ELECTRIC SCISSOR LIFT**

**SS0407E / SS0507E / SS0607E**  
**(SS1230E / SS1432E / SS1932E)**

## **HIGHLIGHTS**

**LGMG SS Series scissor lifts offer an ideal solution for the low-level access and tight restricted application job sites. Shorter overall machine length and lighter weight makes it suitable for most elevators.**

- Battery powered, zero emission and quiet drive mean this machine is environmentally friendly.
- Efficient electric drive system provides longer-lasting performance and better gradeability.
- The zero turning radius and the light weight make this machine ideal for space restricted conditions, providing exceptional maneuverability.
- Exceptional waterproofed drive system design provides excellent performance in wet conditions.
- Commonality of control system with other electric scissor lifts.



# LGMG SS Series

## SPECIFICATIONS

MODELS	SS0407E (SS1230E)		SS0507E (SS1432E)		SS0607E (SS1932E)	
Measurements	Metric	US	Metric	US	Metric	US
Working Height Max.	5.6m	18.4ft	6.3m	20.7ft	7.5m	24.6ft
<b>A</b> Platform Height-Raised	3.6m	11.8ft	4.3m	14.1ft	5.5m	18ft
<b>B</b> Platform Height-Stowed	0.95m	3.1ft	1.04m	3.4ft	1.17m	3.8ft
<b>C</b> Platform Length	1.35m	4.4ft	1.35m	4.4ft	1.35m	4.4ft
<b>D</b> Platform Width	0.7m	2.3ft	0.7m	2.3ft	0.7m	2.3ft
<b>E</b> Overall Length(with ladder)	1.53m	5ft	1.53m	5ft	1.53m	5ft
<b>F</b> Overall Width	0.76m	2.5ft	0.81m	2.65ft	0.81m	2.65ft
<b>G</b> Overall Height-Rails Up	2.06m	6.8ft	2.15m	7.1ft	2.275m	7.46ft
Overall Height-Rails Down	1.82m	6ft	1.9m	6.2ft	2m	6.56ft
<b>H</b> Extension Deck	0.6m	2ft	0.6m	2ft	0.6m	2ft
<b>I</b> Wheelbase	1.12m	44.1in	1.12m	44.1in	1.12m	44.1in
Ground Clearance(Stowed/Raised)	50/16mm	1.97/0.63in	50/16mm	1.97/0.63in	50/16mm	1.97/0.63in

### PRODUCTIVITY

Platform Occupants Max. (in/out)	2/1		2/1		2/0	
Platform Capacity	240 kg	530 lbs	230 kg	510 lbs	230 kg	510 lbs
Platform Capacity-Extension	113 kg	249 lbs	113 kg	249 lbs	113 kg	249 lbs
Drive Height	Full Height					
Gradeability-Stowed	25 %					
Turning Radius-Inside	0					
Turning Radius-Outside	1.5m	4.9ft	1.5m	4.9ft	1.5m	4.9ft
Raise/Lower Speed	25/20 s		25/20 s		32/27 s	
Brakes	Front-wheel Brake					
Drive Mode	4×2					
Tires Type	Solid Non-marking					
Tires Size	230×80mm	9.1×3.1in	230×80mm	9.1×3.1in	230×80mm	9.1×3.1in

### POWER

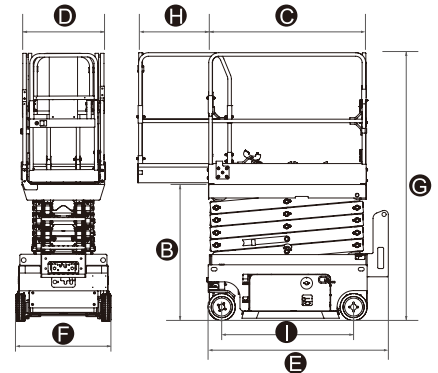
Power Source	24V DC 115Ah	24V DC 150Ah	24V DC 150Ah
--------------	--------------	--------------	--------------

### HYDRAULIC SYSTEM

Hydraulic Oil Capacity	4.5L	1gal	4.5L	1gal	4.5L	1gal
------------------------	------	------	------	------	------	------

### WEIGHT

Machine Weight(CE/ANSI)	880 kg	1940 lbs	985 kg	2172 lbs	1335 kg	2866 lbs
-------------------------	--------	----------	--------	----------	---------	----------



### STANDARD FEATURES

- Proportional control
- Foldable guardrail
- Emergency stop device
- Manual brake release
- Emergency descent
- Swing-out component tray
- Pothole guard
- Self-lock entry gate
- Tilt alarm with lift cut-out
- Overload sensing system
- Descent alarm with flashing beacon
- Horn/hour meter
- All motions alarm
- Full-height drive
- Intelligent diagnostic system

### OPTIONAL

- AC power to platform
- Maintenance-free battery
- Platform anti-collision device
- Air tube to platform
- Foot switch\*
- Limit driving when lifting\*
- GPS

(Note: \* Standard for South Korean and Japanese models)

### Machines in compliant with EN280 / ANSI 92.20 Standard.

Specifications subject to change without notice. Photos and diagrams in the page are for promotional purposes only.  
2020 V1 Version

### LINGONG GROUP JINAN HEAVY MACHINERY CO., LTD.

Address: No. 2676, Kejia Road, Jinan, Shandong, China  
Email: sales@lgmg.com.cn Tel: +86-0531-67879283

### LGMG Europe B.V.

Address: Laanweg 16 3208LC Spijkenisse Rotterdam, The Netherlands

### LGMG North America, Inc.

Address: 1445 Sheffler Dr, Chambersburg, PA. 17201, USA



RELIABILITY IN ACTION