

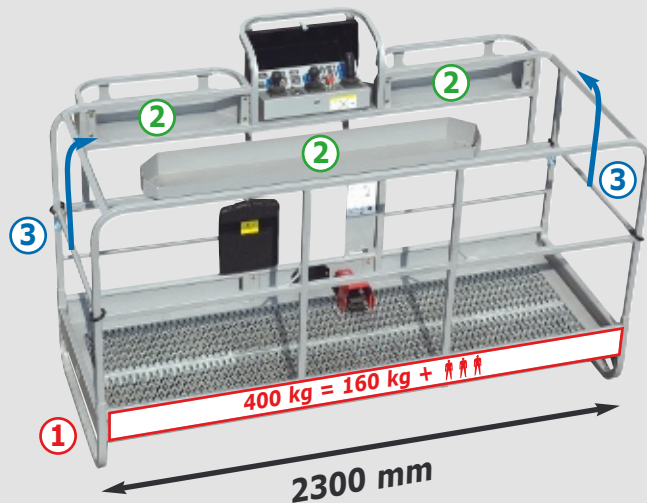
## Self-propelled diesel articulated boom high capacity

- **S.W.L.: 400 kg including 3 people**
- Working height: 16.25 m
- Max. outreach: 8.95 m
- Diesel engine 45 HP
- Turret rotation 350°
- 4 simultaneous movements
- 4 wheel drive
- 4 wheel steer
- Crab steer



### Large basket :

- 1) high capacity
- 2) tool boxes
- 3) lateral entries



# 160 ATJ +

**Working height** .....16.25 m  
**Platform floor height** .....14.25 m  
**Max. outreach** .....8.95 m  
**Up and over clearance** .....7.00 m  
**Jib movement** .....+70°/-70°  
**Basket rotation** .....+90°/-90°  
**Turret rotation** .....350°

**Capacity** .....400 kg  
**Maximum allowed wind speed** .....wind 45 km/h  
**Basket size** .....2.30 x 0.93 m  
**Lifting time** .....40 s

**① Width** (overall width with basket) .....2.30 m  
**② Length** .....6.93 m  
**③ Length** (Travel/transport) .....4.94 m  
**④ Height** .....2.37 m  
**⑤ Height** (Travel/transport) .....2.70 m

**⑥ Inside turning radius** .....1.32 m  
**⑦ Outside turning radius** .....3.68 m  
**⑧ Outside turning radius with basket** .....6.39 m  
**⑨ Ground clearance** .....42.5 cm  
**⑩ Wheelbase** .....2.20 m  
**Working speed** .....0.8 km/h  
**Maximum travel speed** .....6.0 km/h

**Heat engine**  
 PERKINS 404 C 22 .....45 hp

**Gradeability on rough terrain** .....40%  
**Max. slope accepted** .....5° or 9%

**Hydraulic tank** .....54 l.  
**Diesel tank** .....52 l.

**Tyres** .....18"  
 4 wheel drive/4 wheel steer/crab steer

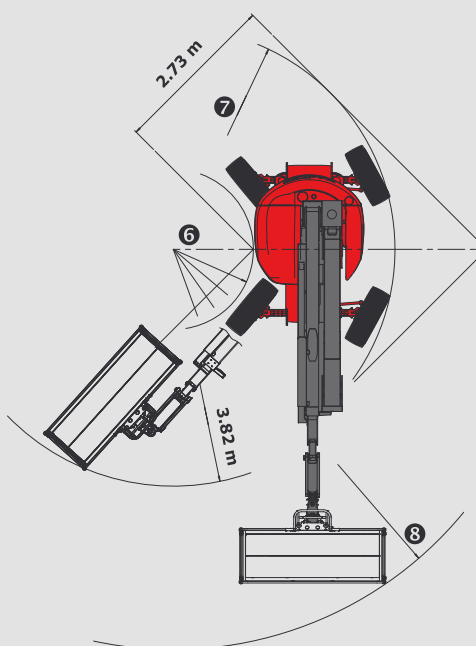
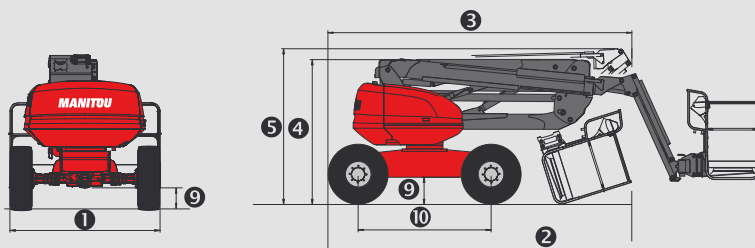
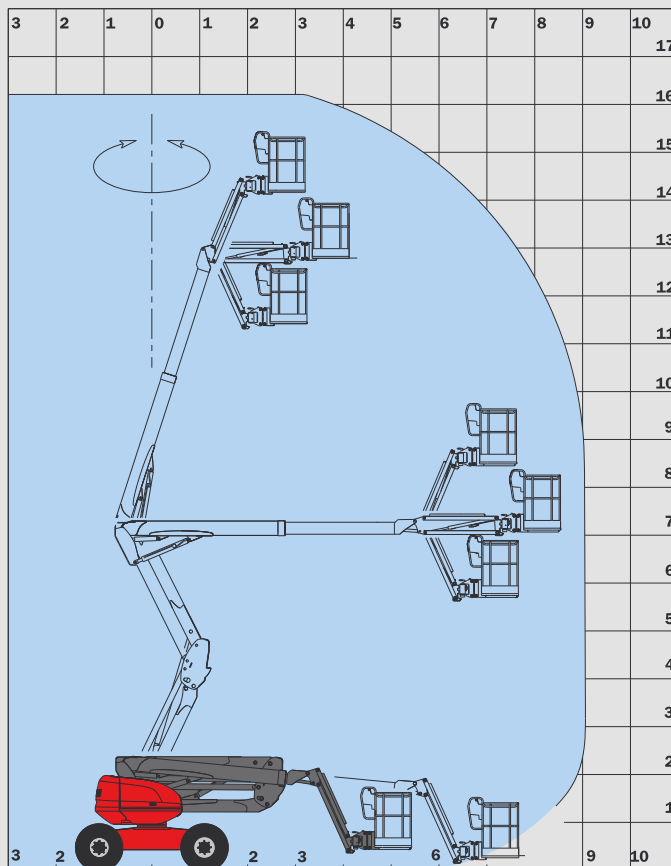
**Weight** .....8100 kg

## Standard equipment

- Large basket
- Proportional controls
- 4 simultaneous movements
- Foam filled tyres
- Differential lock
- Limited-slip front axle
- Diagnostic-calibrator
- Hourmeter
- Low-fuel indicator
- Horn
- Flashing beacon
- Audible and visual tilt and overload alarms
- Slope over ride
- Lifting eyes
- Electric emergency pump
- Prefitted for 230 V
- Dead man's pedal
- 1 tool tray
- Protective cover (lockable)

## Options

- **Oscillating axle**
- **Continuous rotation**
- **On-board generator** (3.5 kVA/5.5 kVA)
- 230 V outlet with residual current device
- Prefitted for compressed air
- Prefitted for water
- Working headlight
- Special paint
- Biodegradable oil
- All movement alarm
- Beep on travel
- 20" tyres
- Catalytic purifier
- Refinery kit
- Safety harness
- Non Marking tyres
- 2 additional tool trays



This publication in no way constitutes an offer and the company reserves the right to alter specification without prior notice.  
 The equipment supplied with each model may differ from that described in this leaflet.  
 For more details, contact your MANITOU dealer.  
 Conformity with the machine directive (EN 280) and standards of the country of delivery.



**MANITOU BF SA**

B.P. 249 - 44158 Ancenis Cedex - France  
 Tel. : 33 2 40 09 10 11 / Export Department Fax : 33 2 40 09 10 97  
 www.manitou.com

700443EN\_A\_0910\_160ATJ\_PLUS.qxd

